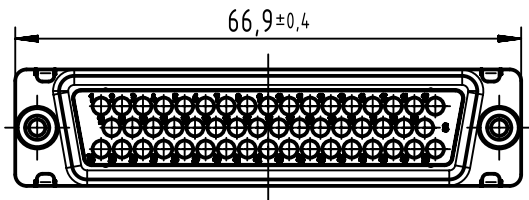
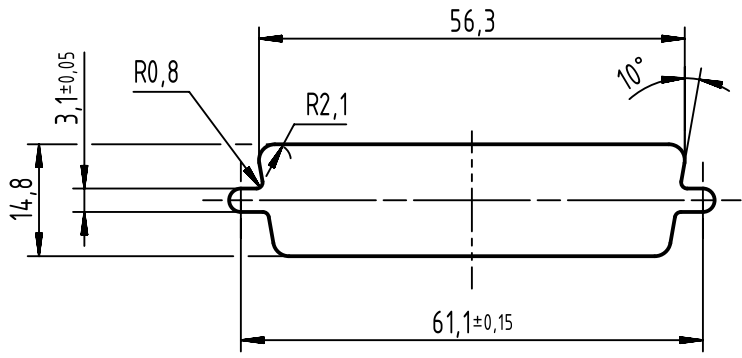


Panel cut out



	All Dimensions in mm Original Size DIN A4		Scale 1:1	Free size tol.		Ref.
			Created by ZHUANGJ	Inspected by LUOK	Standardisation KOHLER	Sub.
	All rights reserved Department EL PD		Date 2019-06-04		State Final Release	
	HARTING Electronics GmbH D-32339 Espelkamp		Title D-Sub crimp 50-pole female straight AWG20-24 connector			Doc-Key / ECM-Nr. 100555298/UGD/000/A 500000153034
			Type TB	Number 09670504702		Rev. A
						Page 1/1